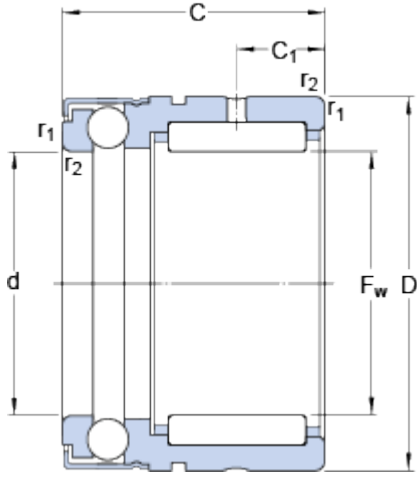


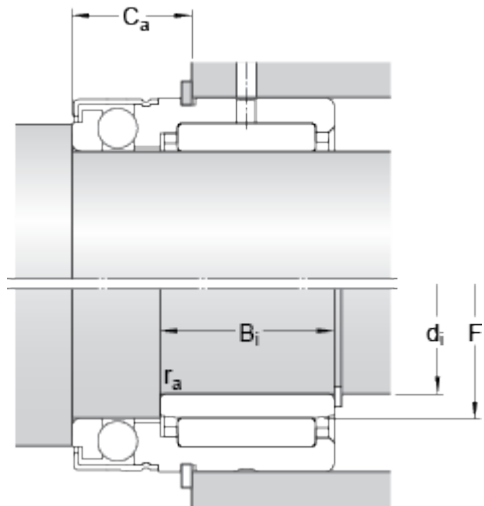
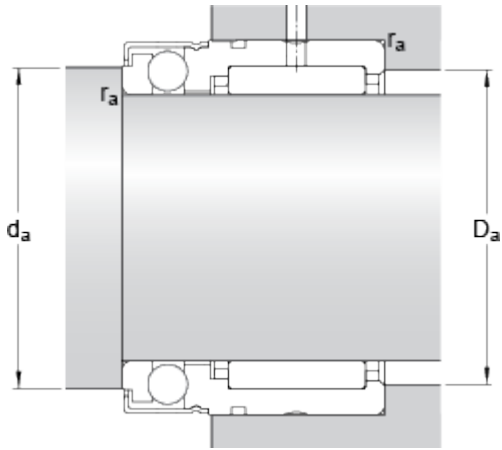
# NX 10 Z

## Dimensions



|           |      |     |    |
|-----------|------|-----|----|
| $F_w$     |      | 10  | mm |
| $D$       |      | 19  | mm |
| $C$       |      | 18  | mm |
| $C_1$     |      | 4.7 | mm |
| $d$       |      | 10  | mm |
| $r_{1,2}$ | min. | 0.3 | mm |

## Abutment dimensions



|       |      |      |    |
|-------|------|------|----|
| $d_a$ | min. | 14.6 | mm |
| $D_a$ | max. | 17   | mm |
| $C_a$ |      | 10   | mm |
| $r_a$ | max. | 0.3  | mm |
| $d_i$ |      | 6    | mm |
| $F$   |      | 10   | mm |
| $B_i$ |      | 10   | mm |

## Calculation data

|   |       |     |    |
|---|-------|-----|----|
| Basic dynamic load rating, radial direction | $C$   | 5   | kN |
| Basic static load rating, radial direction  | $C_0$ | 4.6 | kN |
| Basic dynamic load rating, axial direction  | $C$   | 5.1 | kN |

|   |       |      |       |
|---|-------|------|-------|
| Basic static load rating, axial direction | $C_0$ | 8.5  | kN    |
| Fatigue load limit, radial direction      | $P_u$ | 0.53 | kN    |
| Fatigue load limit, axial direction       | $P_u$ | 0.31 | kN    |
| Minimum axial load factor                 | A     | 0.38 |       |
| Reference speed                           |       | 8500 | r/min |
| Limiting speed                            |       | 5600 | r/min |

### Mass

---

|              |  |       |    |
|--------------|--|-------|----|
| Mass bearing |  | 0.025 | kg |
|--------------|--|-------|----|

### Appropriate products

---

|            |  |                |
|------------|--|----------------|
| Inner ring |  | IR 6x10x10 IS1 |
| Snap ring  |  | SW 19          |